

SHDSL One Chip Rate Adaptive Transceiver with Embedded Start-up and Utopia

The SOCRATES™-U chip integrates all analog and digital functions of an SHDSL transceiver channel on one chip including a Utopia interface. It is fully compliant to all requirements of the ETSI TS 101524 and ITU G.991.2 (G.shdsl) standards. Unique features like the integrated hybrid and oscillator give a significant advantage in the bill of material. The additional TDM interface enables CVoDSL service. The unmatched power consumption of less than 800 mW supports remote feeding applications. The built-in microcontroller unloads the host and makes the Software design as easy as possible. SOCRATES™-U is member of a family of SHDSL transceivers with tailor-made products for different applications. Infineon also supplies a wide range of other telecom ICs to offer complete end to end system solutions.



SHDSL

Potential Applications

- Integrated Access Devices
- ATM modems
- ATM trunk lines
- DSL Access Multiplexers
- IMA (Inversed Multiplexing for ATM)

Development and Support Tools

- SMART 2000 Evaluation package
- IAD reference design
- Reference Layout
- API software

Features

- Single chip SHDSL transceiver
- Compliant with ITU G.991.2 and ETSI TS 101524 standards
- 18x18 mm P-BGA-256 package
- Power consumption <800 mW at full speed and power
- TCPAM linecode with 2, 3 or 4 Bits/symbol
- Synchronous or plesiochronous operation
- Integrated μ -Controller
- Built-in SHDSL Framer
- Tunable internal hybrid for best real life performance
- Internal oscillator and PLL
- Two HDLC controllers for payload and EOC per channel

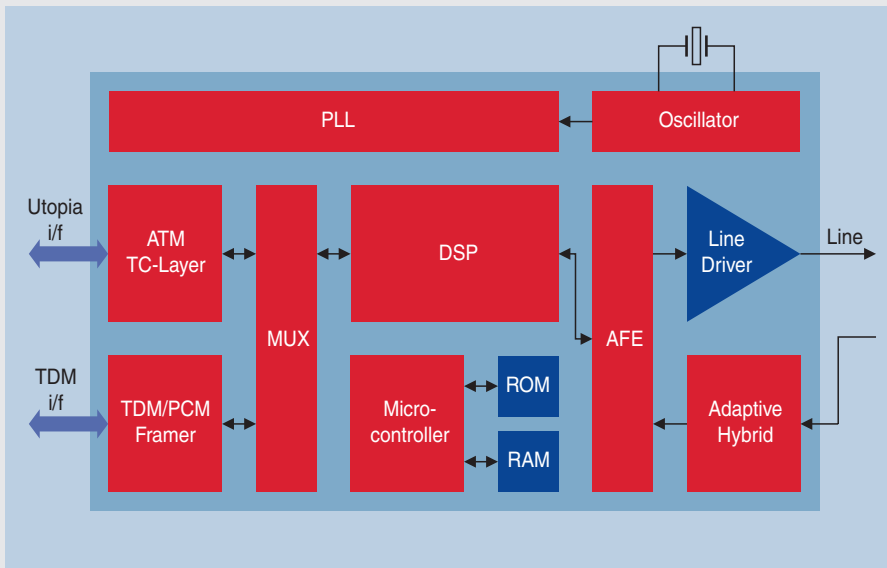
- Lowest number of passive components
- G. handshake start-up with line probing
- Central office (COT) and remote (RT) operation
- Universal 8-Bit μ C interface
- Universal TDM interface
- Utopia level1/2 interface
- Supports dual bearer mode
- 2B1Q mode for SDSL inter-operability
- Single 1.8 V, 3.3 V and +5 V power supply
- Inputs and Outputs TTL level
- JTAG boundary scan
- Software compatible to SOCRATES™ and SOCRATES™-4

S O C R A T E S TM - U



Never stop thinking.

SOCRATES-U Block Diagram



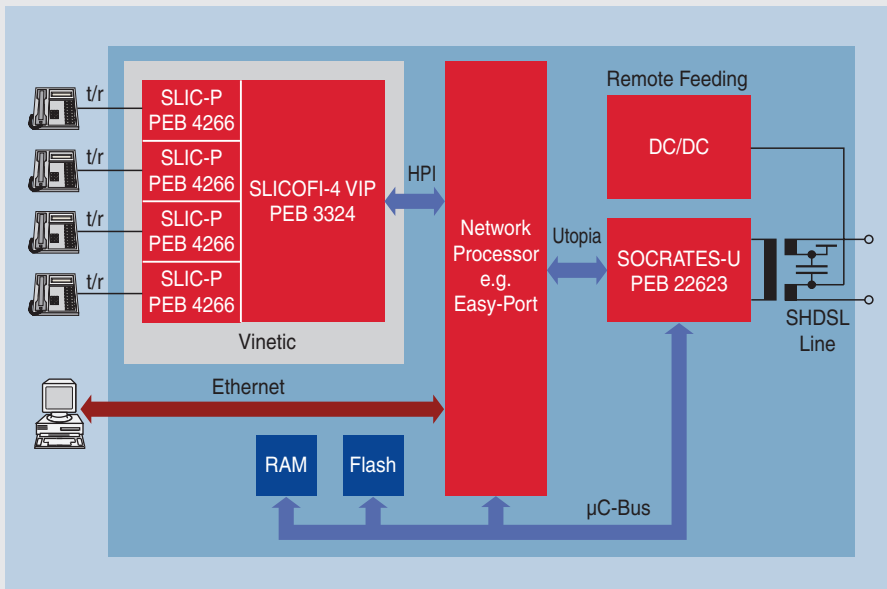
Documentation

Type	Date of Issue/Version
PEB 22623 V1.1 Product Overview	04.01
PEB 22623 V1.1 Preliminary Data Sheet	06.01

Packing

Type	Ordering Code	Package	Availability
PEB 22623 E V1.1	Q67233-H1307	P-BGA-256	ES 07.01
SMART 22623 EVM	Q67230-H1316		07.01

Application Example IAD



How to reach us:
<http://www.infineon.com>

Published by
Infineon Technologies AG,
St.-Martin-Strasse 53,
81541 München

© Infineon Technologies AG 2001. All Rights Reserved.

Attention please!

The information herein is given to describe certain components and shall not be considered as warranted characteristics.

Terms of delivery and rights to technical change reserved.

We hereby disclaim any and all warranties, including but not limited to warranties of non-infringement, regarding circuits, descriptions and charts stated herein.

Infineon Technologies is an approved CECC manufacturer.

Information

For further information on technology, delivery terms and conditions and prices please contact your nearest Infineon Technologies Office in Germany or our Infineon Technologies Representatives worldwide.

Warnings

Due to technical requirements components may contain dangerous substances. For information on the types in question please contact your nearest Infineon Technologies Office.

Infineon Technologies Components may only be used in life-support devices or systems with the express written approval of Infineon Technologies, if a failure of such components can reasonably be expected to cause the failure of that life-support device or system, or to affect the safety or effectiveness of that device or system. Life support devices or systems are intended to be implanted in the human body, or to support and/or maintain and sustain and/or protect human life. If they fail, it is reasonable to assume that the health of the user or other persons may be endangered.